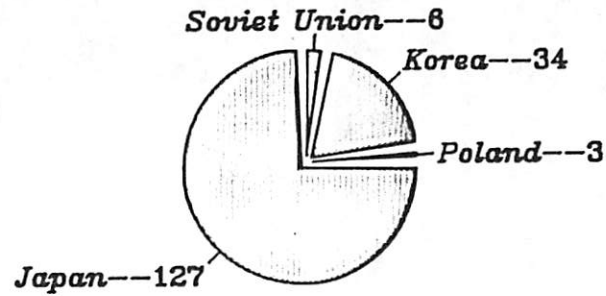
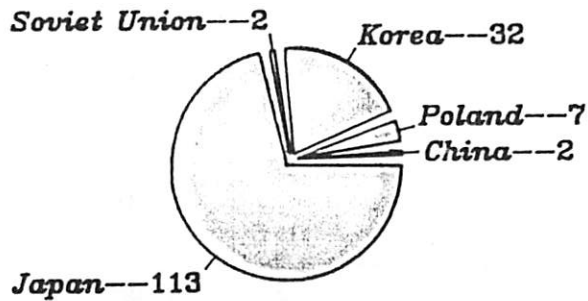


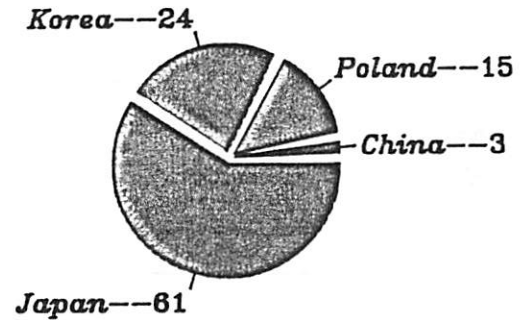
NUMBER OF FOREIGN VESSELS OFF ALASKA September, October, & November 1986



SEPTEMBER
Total = 170



OCTOBER
Total = 156

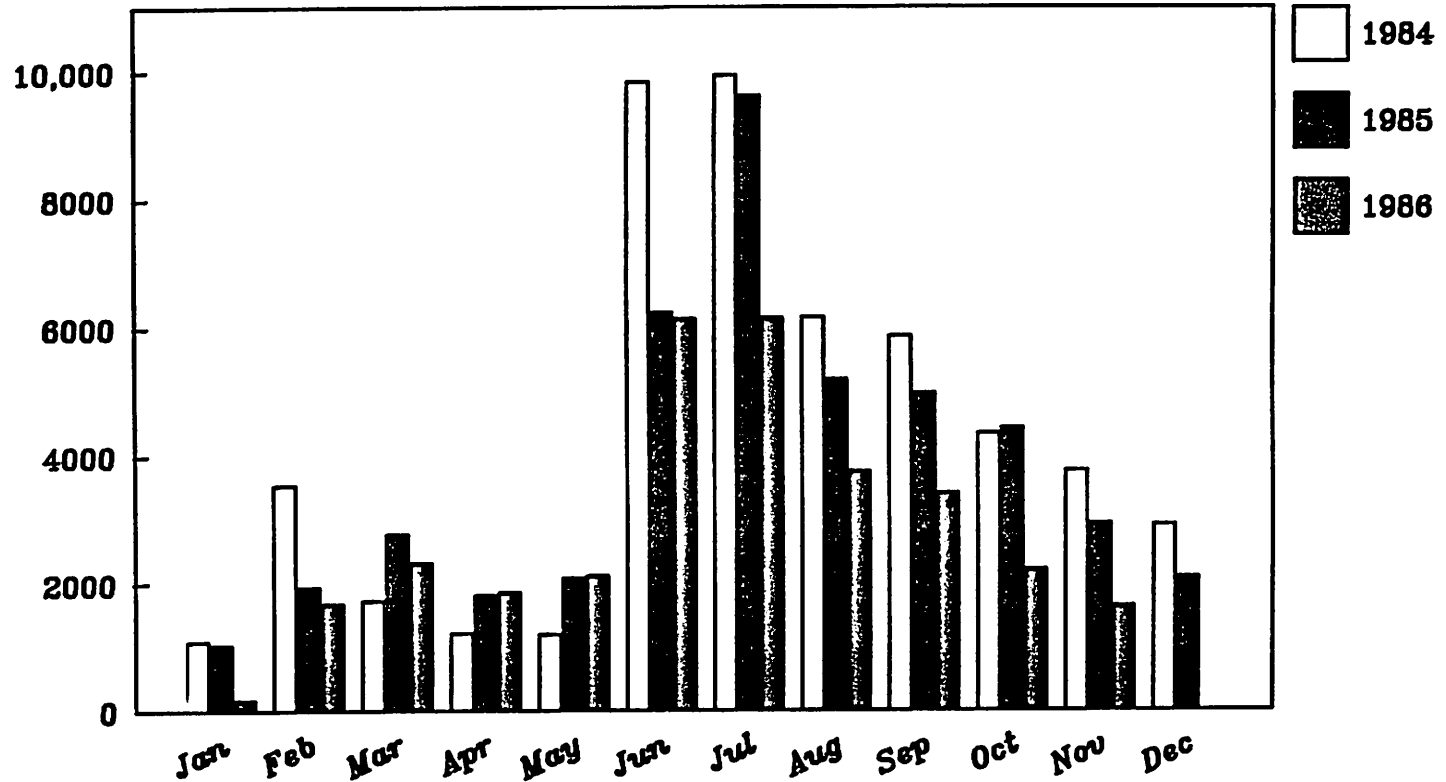


NOVEMBER
Total = 103

NMFS Law Enforcement - Alaska Region

NUMBER OF FOREIGN VESSEL DAYS OFF ALASKA 1984 to 1986

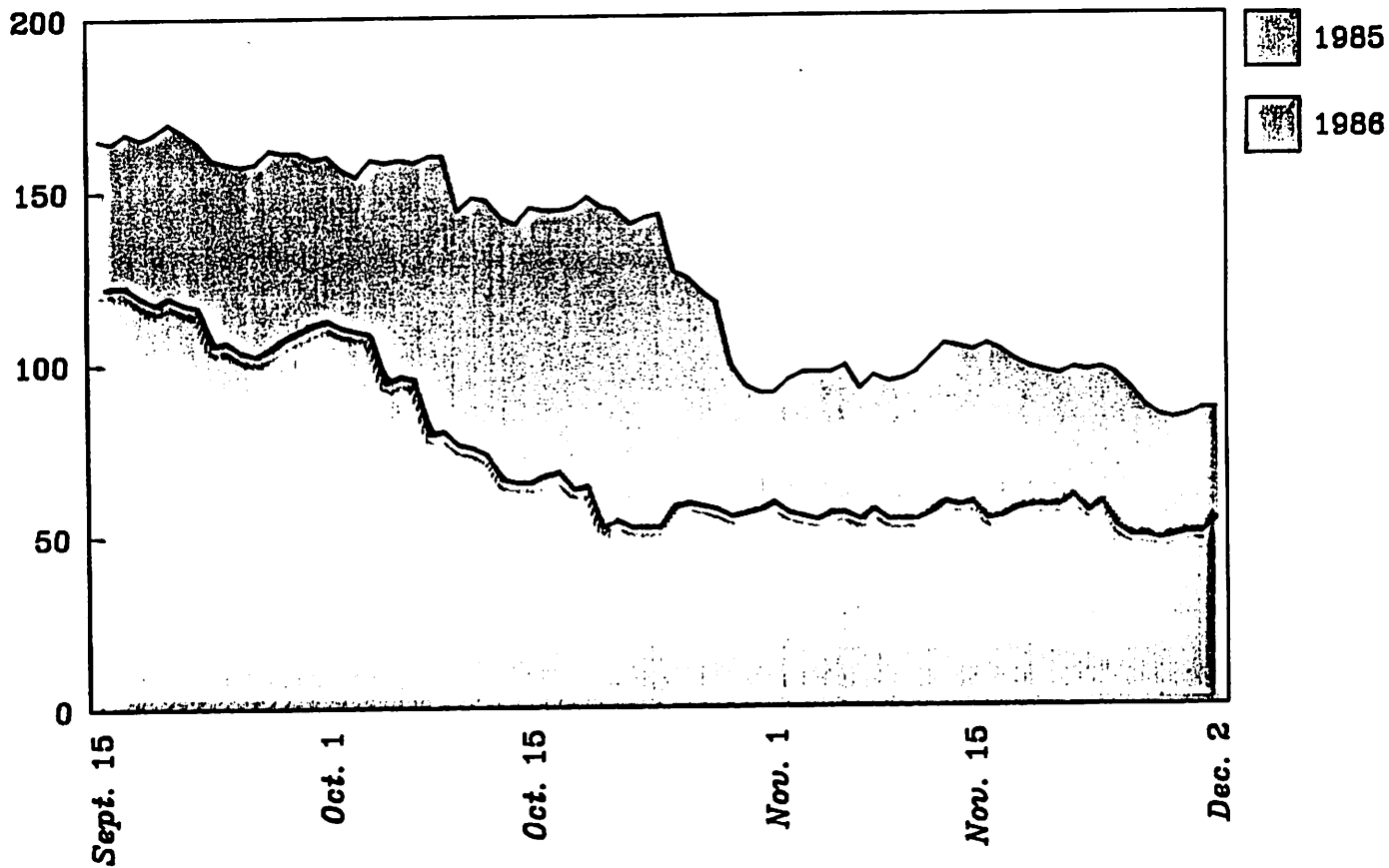
Number of Days



NMFS Law Enforcement - Alaska Region

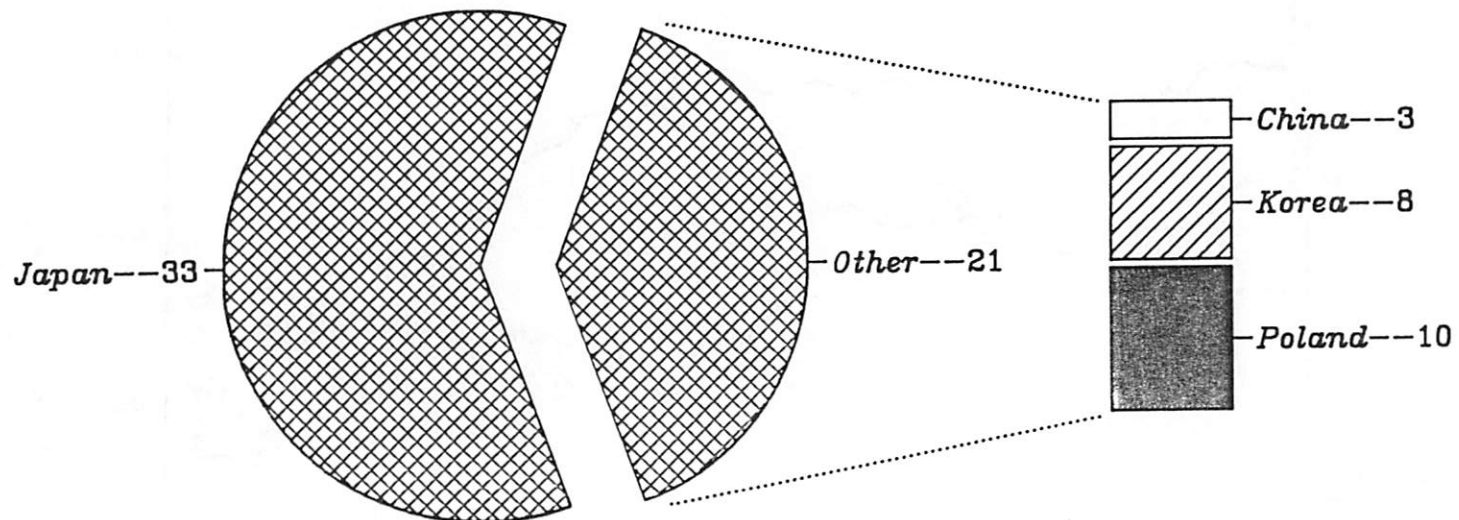
DAILY NUMBER OF FOREIGN VESSELS OFF ALASKA 1985 and 1986

Number of Vessels



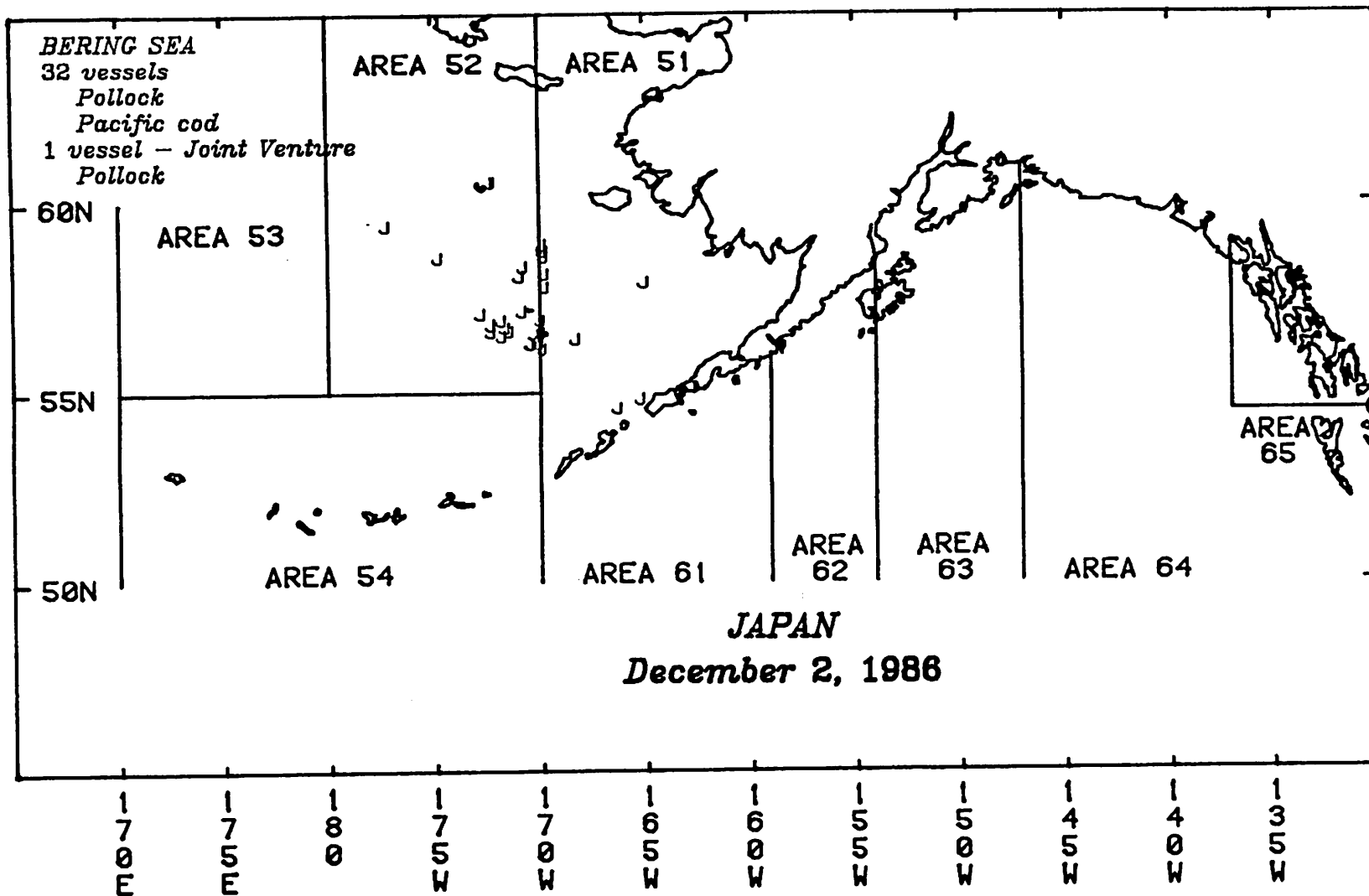
NMFS Law Enforcement - Alaska Region

NUMBER OF FOREIGN VESSELS OFF ALASKA December 2, 1986



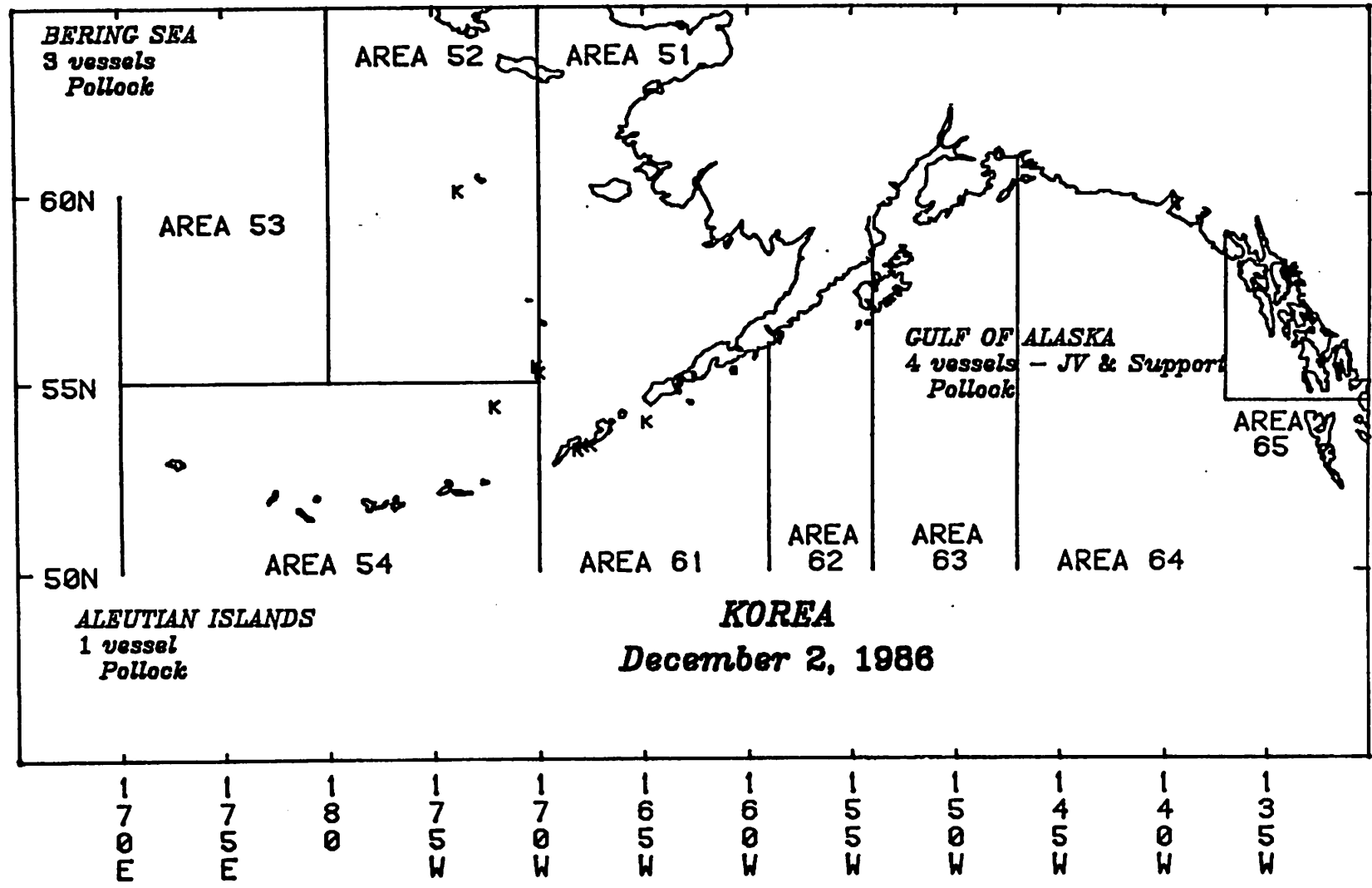
TOTAL = 54

NMFS Law Enforcement - Alaska Region

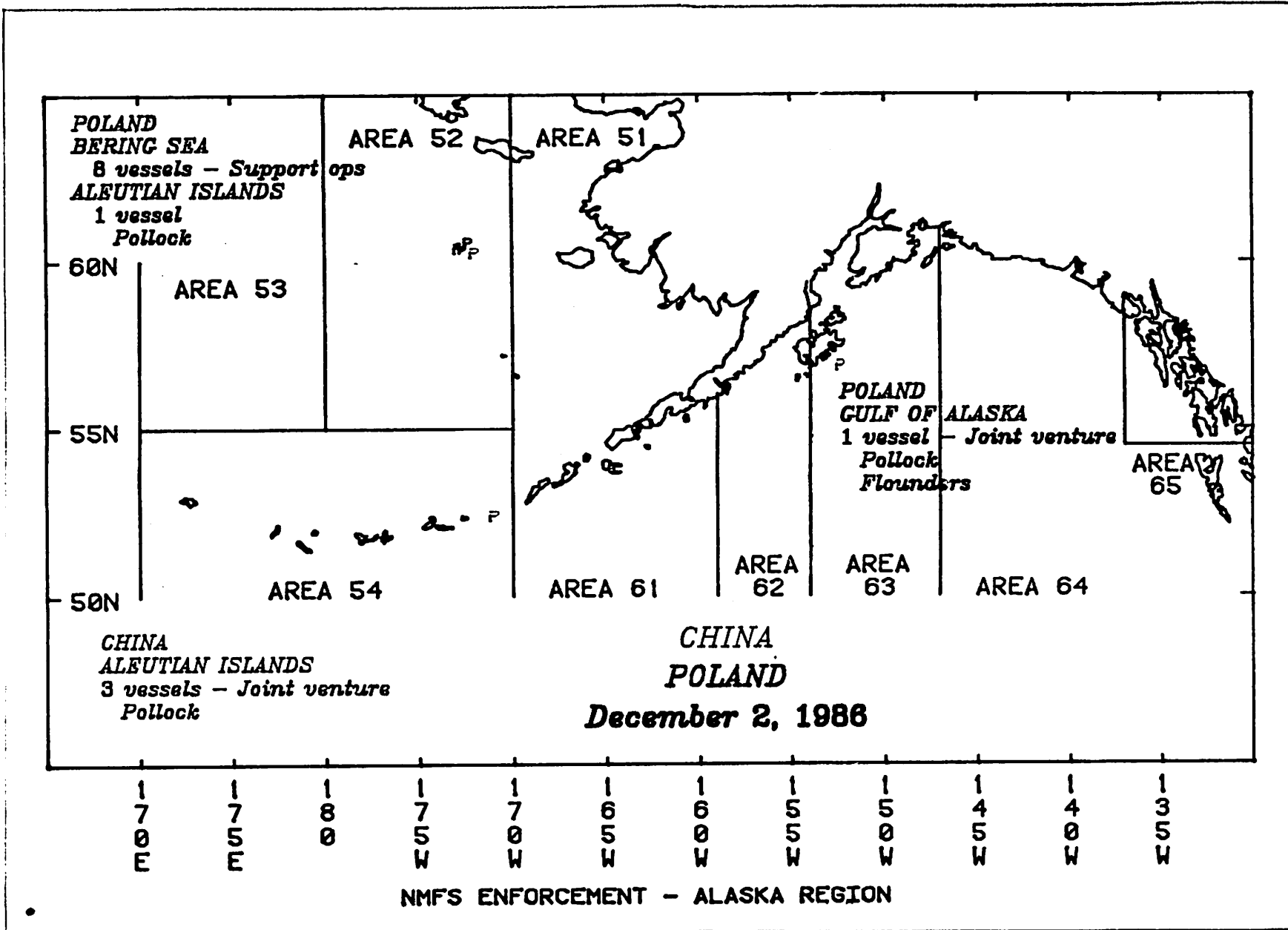


JAPAN
December 2, 1986

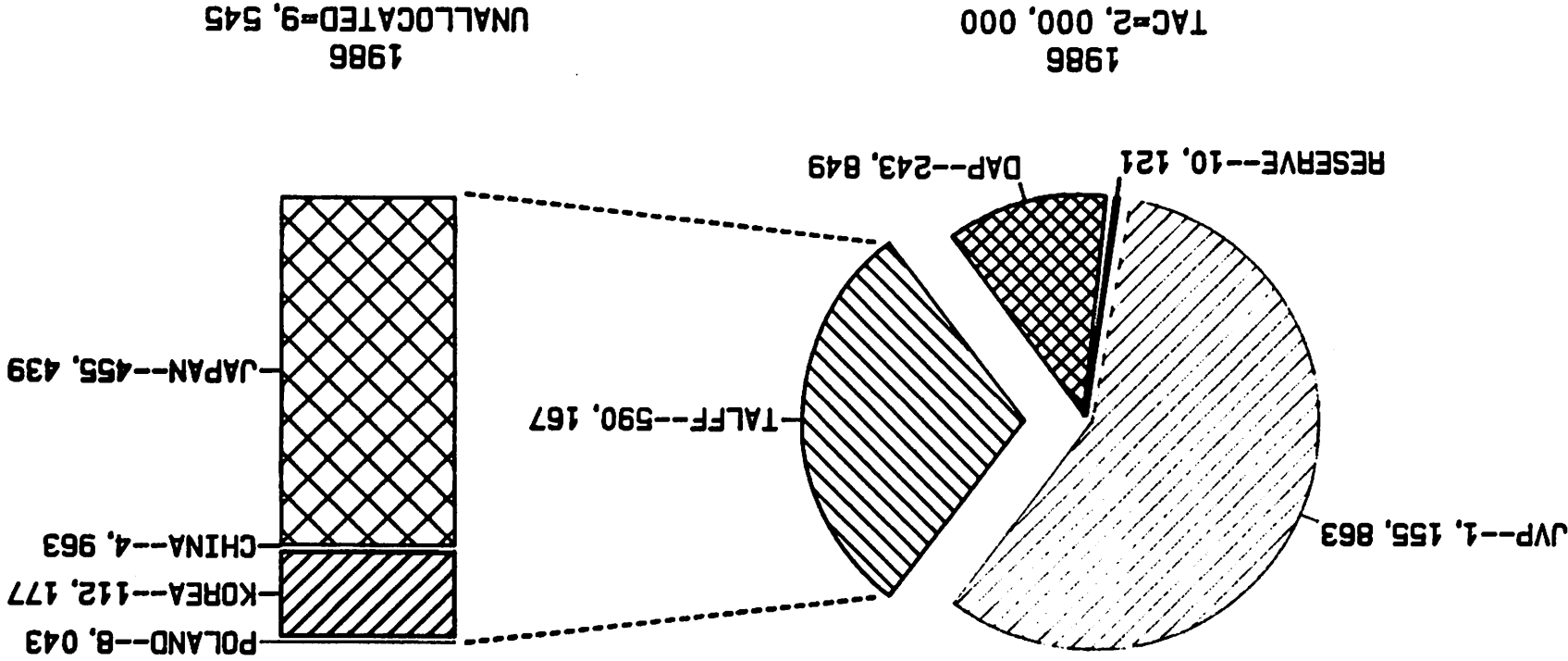
NMFS ENFORCEMENT - ALASKA REGION



NMFS ENFORCEMENT - ALASKA REGION

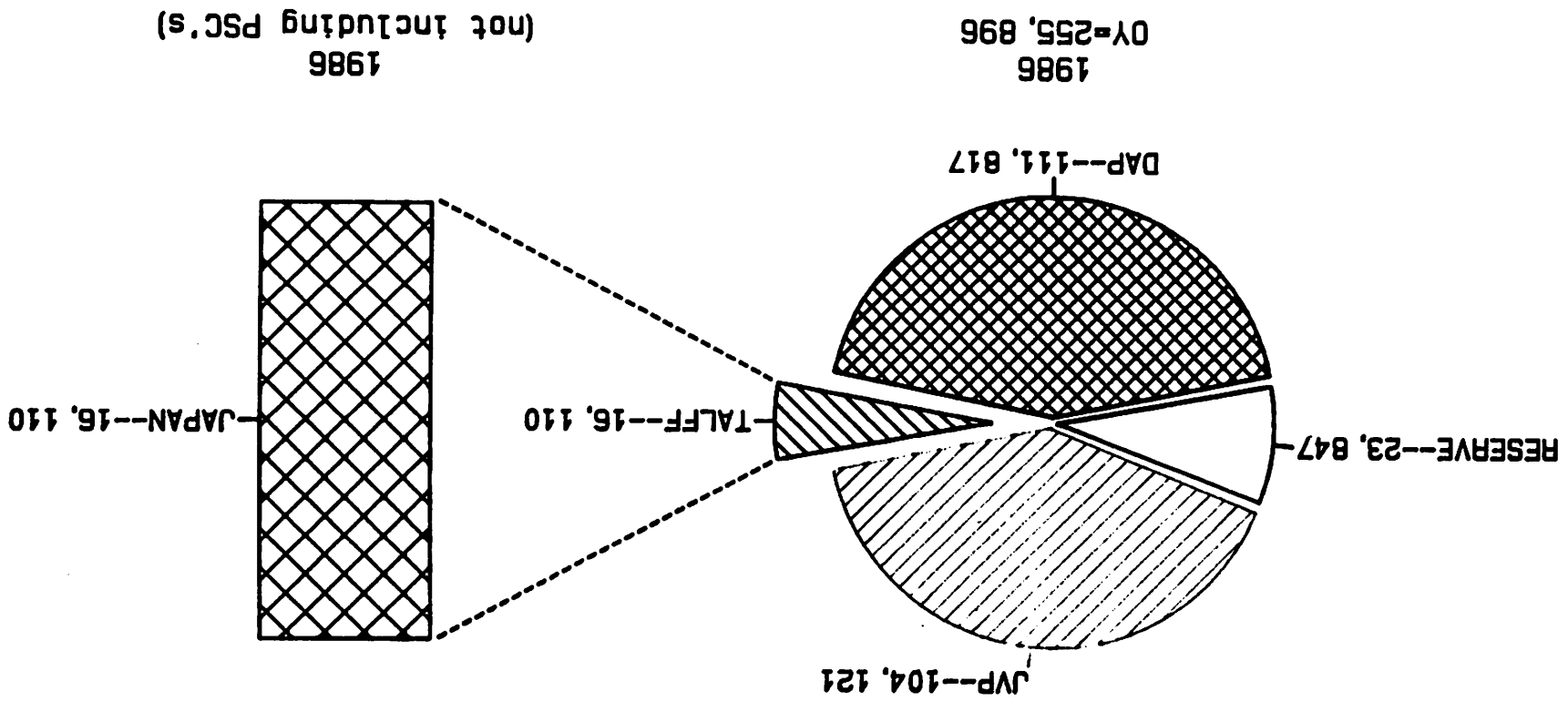


BERING SEA/ALUTIAN GROUNDFISH, 1986 NOVEMBER APPORTIONMENTS NOVEMBER ALLOCATIONS

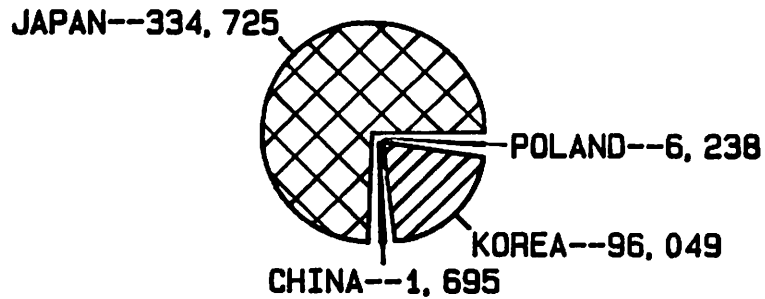


AGENDA ITEM B-3
NMFS, ALASKA REGION
JUNEAU, DECEMBER 1986

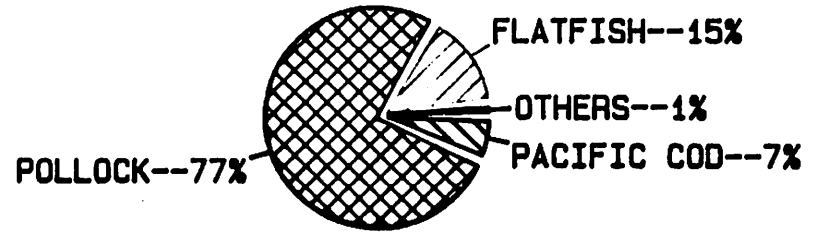
GULF OF ALASKA GROUNDFISH, 1986 NOVEMBER REAPPORTIONMENTS APRIL ALLOCATIONS



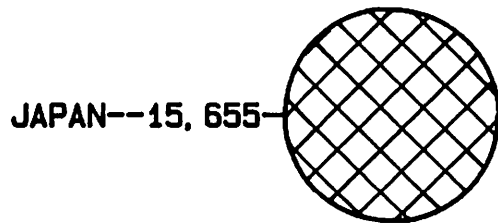
1988 FOREIGN FISHING ACTIVITY THROUGH WEEK 46 OF FISHING YEAR



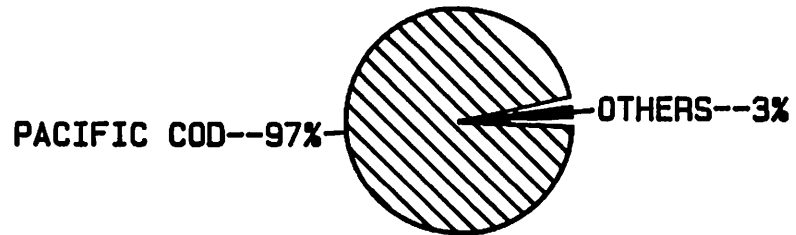
**BERING SEA CATCH
TOTAL=438,707**



**BERING SEA/ALEUTIANS
SPECIES COMPOSITION**



**GULF OF ALASKA CATCH
TOTAL=15,655**



**GULF OF ALASKA
SPECIES COMPOSITION**

AGENDA ITEM B-3
 NMFS, ALASKA REGION
 JUNEAU, DECEMBER 1986

AGENDA ITEM B-3
 NMFS, ALASKA REGION
 JUNEAU, DECEMBER 1986

05-Dec-86

1986 ALASKA GROUND FISH CATCH
 (ROUND WEIGHT IN METRIC TONS)

SPECIES	TYPE	1986							1985	TO-DATE	
		EASTERN GULF	CENTRAL GULF	WESTERN GULF	TOTAL GULF	BERING SEA	ALEUTIAN ISLANDS	TOTAL BSA	TO-DATE ALASKA	ANNUAL ALASKA	CATCH % OF 1985
POLLOCK	DAP	70	7783	727	8580	45588	1201	46789	55369	61680	89.8%
	JVP	.	56011	2489	58500	804293	30260	834553	893053	615400	145.1%
	FOREIGN	.	43	608	651	324466	12559	337025	337676	852888	39.6%
SABLEFISH	DAP	9277	8053	3212	20542	2670	2796	5466	26008	15538	167.4%
	JVP	.	7	37	44	340	83	423	467	335	139.4%
	FOREIGN	.	0	2	2	62	0	62	64	351	18.2%
PACIFIC COD	DAP	290	3837	459	4586	32572	1446	34018	38604	49912	77.3%
	JVP	.	787	444	1231	58306	6114	64420	65651	43537	150.8%
	FOREIGN	.	3732	11583	15315	29221	5	29226	44541	66417	67.1%
TURBOTS	DAP	1	29	20	50	783	1937	2720	2770	35	7914.3%
	JVP	.	.	.	0	3316	84	3400	3400	457	744.0%
	FOREIGN	.	.	.	0	9948	99	10047	10047	21381	47.0%
ALL OTHER FLOUNDERS	DAP	16	745	331	1092	4177	65	4242	5334	779	684.7%
	JVP	.	717	149	866	215440	266	215706	216572	174736	123.9%
	FOREIGN	.	15	72	87	58200	43	58243	58330	126841	46.0%
P.O.P.	DAP	1827	389	560	2776	693	117	810	3586	1681	213.3%
	JVP	.	1	29	30	111	163	274	304	700	43.4%
	FOREIGN	.	0	0	0	14	0	14	14	82	17.1%
ROCKFISH	DAP	1884	642	319	2845	44	45	89	2934	2087	140.6%
	JVP	.	5	9	14	63	214	277	291	63	461.9%
	FOREIGN	.	1	6	7	15	0	15	22	46	47.8%
THORNYHEADS	DAP	109	281	300	690	42	43	85	690	118	584.7%
	JVP	.	0	0	0	.	.	.	0	8	0.0%
	FOREIGN	.	0	0	0	.	.	.	0	4	0.0%
ATKA MACKEREL	DAP	0	0	0	0	2	2	4	4	0	###
	JVP	.	0	5	5	7	31978	31985	31990	39704	80.6%
	FOREIGN	.	0	0	0	1	0	1	1	3	33.3%
OTHER	DAP	42	191	26	259	339	100	439	698	1565	44.6%
	JVP	.	252	11	263	6149	1441	7590	7853	9092	86.4%
	FOREIGN	.	60	88	148	4073	4	4077	4225	29384	14.4%
TOTAL	DAP	13516	21950	5954	41420	86868	7709	94577	135307	133242	101.5%
	JVP	.	57780	3173	60953	1088025	70603	1158628	1219581	883567	138.0%
	FOREIGN	.	3851	12359	16210	426000	12710	438710	454920	1076012	42.3%

SOURCES: 1986 DAP: ADF&G RPTS AS OF 10/31; PACFIN REPORT #202, DATED 12/4
 1986 JVP AND TALFF: NMFS REPORTS THRU 11/15 AND 11/22, RESPECTIVELY
 1985 DATA: PACFIN REPORT #209, DATED 5-12-86